

# HZ180JRT/200JRT/260JRT

## SELF-PROPELLED ARTICULATED BOOMS

# Mantall®



### Standard Features

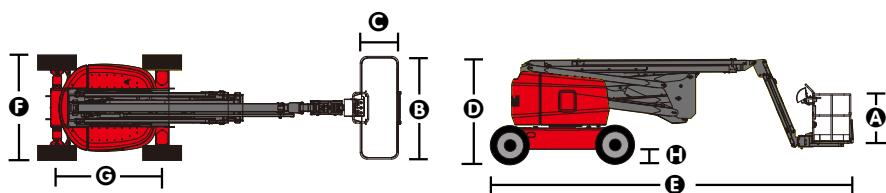
- Self-levelling platform
- Hydraulic rotation platform
- Hall effect fully proportional controls
- Driving confirm
- AC wiring to platform
- Horn
- Hour meter
- Tilt alarm
- Positive traction drive
- Dual Speed motor
- Emergency pump
- CAN intelligent control
- Overload Sensor

### Options Features

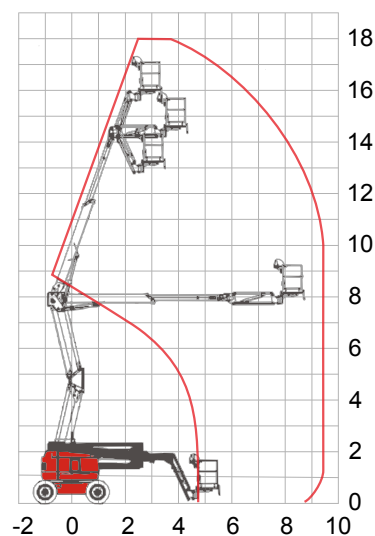
- 2.4m platform
- Platform swing gate
- Platform alternate leverage
- Airline to platform
- Hydraulic oil cooler
- Hostile environment packages
- Anti-crash air packages
- Tool tray
- Alarm packages
- Platform work lights

# HZ180JRT/200JRT/260JRT

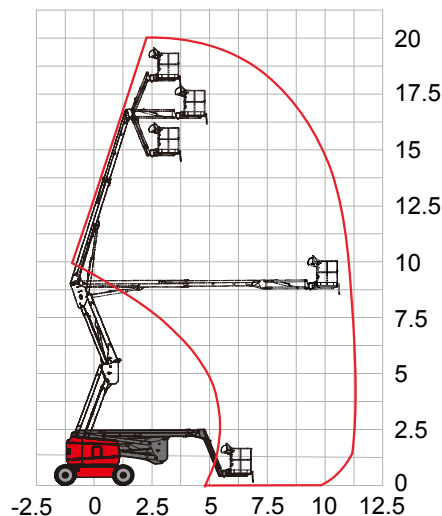
MODEL	HZ180JRT	HZ200JRT	HZ260JRT
Max. Working height	18 m	20 m	26 m
Max. Platform height	16 m	18 m	24 m
Max. Outreach	9.5 m	11.1 m	15.1 m
Max. Up and over clearance	7.6 m	8.9 m	10.3 m
Max. Lift capacity	230 kg		
Platform size <b>B</b> x <b>C</b> x <b>A</b>	1.8 x 0.76 x 1.1 m	2.4 x 0.9 x 1.1 m	
Height - stowed <b>D</b>	2.50 m		2.70 m
Length - stowed <b>E</b>	8 m	8.60 m	9m
Width <b>F</b>	2.30 m		2.50 m
Wheelbase <b>G</b>	2.10 m	2.50 m	2.8 m
Ground clearance <b>H</b>	0.36 m	0.35 m	0.33 m
Turntable rotation	360° continuously		
Turntable tailswing	0		
Platform rotation	0 / 180°		
Jib Swing Angle	0 / 135°	0 / 137°	0 / 135°
Platform Levelling	Hydraulic level		
Drive speed - stowed	4.8 km/h		
Drive speed - raised	1.0 km/h		
Gradeability	30% (45%4WD)		30%
Max. tilt angle	3°		
Max. lateral force N	400 N		
Max. Wind speed allowed	12.5 m/s		
Min. Turning radius - inside	1.7 m	2.2 m	2.1 m
Min. Turning radius - outside	4.5 m	5.4 m	4.5 m
Drive wheels number	4 WD	2 / 4 WD	2 WD
Steering wheel number	2		
Controls	Electrical proportional control		
System voltage	DC 12V		
Hydraulic tank capacity	170 L		
Fuel tank capacity	140 L	85 L	140 L
Tire size	355 x 55D - 625		385 x 55D - 24 Solid
Power	Yanmar 4TNV88		CumminsQSFT2.8-C
Total weight	8.42 t	11.985 t	13 t



Range of motion HZ180JRT



Range of motion HZ200JRT



Range of motion HZ260JRT

